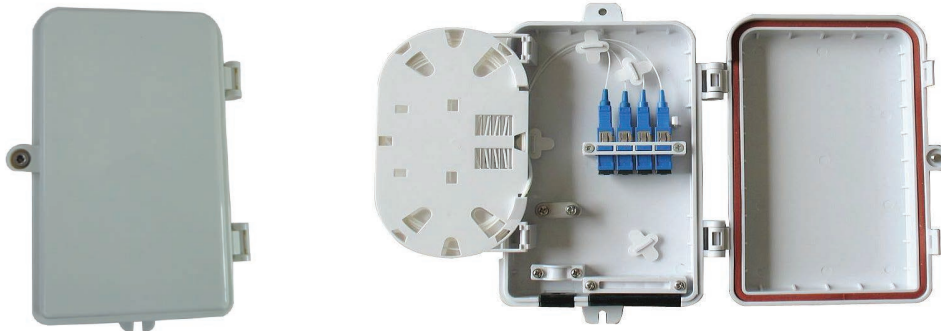


ODWMOP0404SC

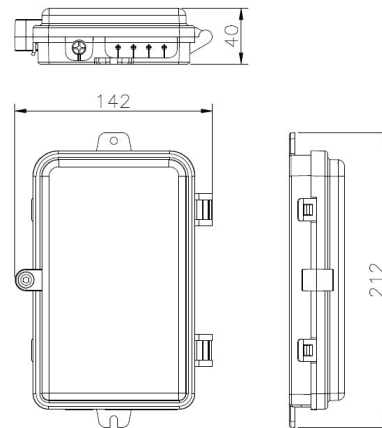


Overview

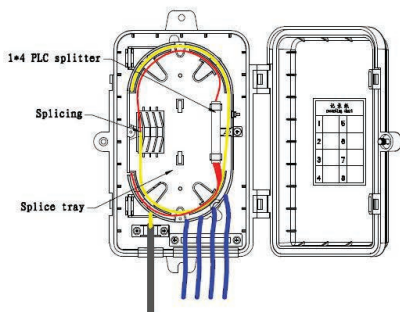
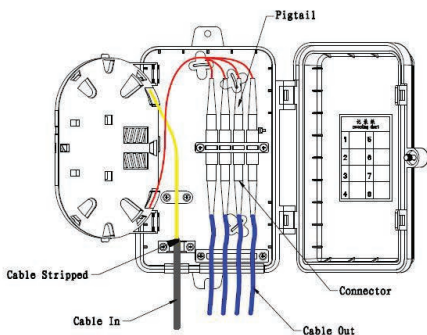
ODWMOP0404SC fiber optic termination box is suitable for FTTH, optical fiber splitting/splicing use. The enclosure is used with ABS plastic material, light weight, reasonable design for fiber arrangement, allows bend radius more than 30mm.

It also suitable for 1pc 4-way splitter or 1pc 8-way splitter with LC connector (Steel tube type)

Dimensions



Fiber arranging drawings



Dimensions and Capabilities

Item	Description
Height	212mm
Weight	142mm
Depth	40mm
Operating temperature	-5°C +40°C
Relative humidity	≤90%(+30°C)
Atmospheric pressure	70Kpa - 106Kpa
Storage temperature	-40°C +70°C
Optical parameter	Insertion loss≤0.3dB; Excess loss:≤0.2B; Return loss≥50dB
IP Standard	IP66